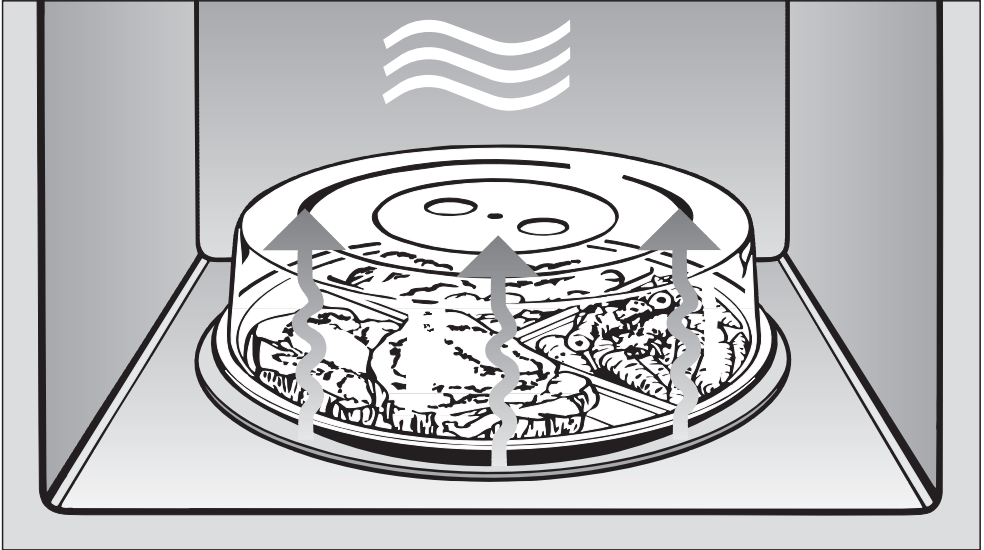


## Operating instructions



## Microwave oven M 8260-2

To avoid the risk of accidents or damage to the appliance, it is **essential** to read these instructions before it is installed and used for the first time.


en - AU, NZ

M.-Nr. 07 679 380

# Contents

---

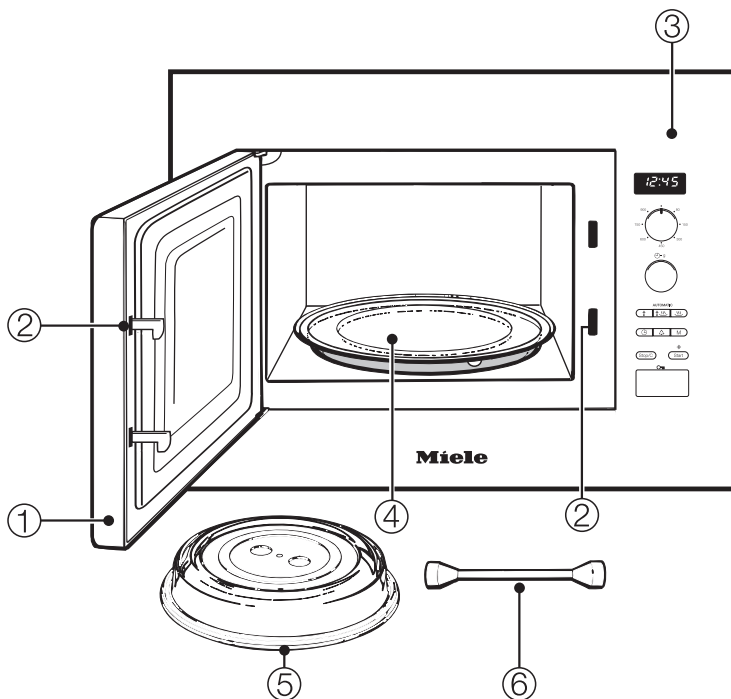
<b>Description of the appliance</b> . . . . .	4
Oven interior and accessories . . . . .	4
Control panel . . . . .	5
Accessories supplied . . . . .	5
Cover . . . . .	5
Boiling rod . . . . .	5
<b>Caring for the environment</b> . . . . .	6
<b>Warning and safety instructions</b> . . . . .	7
<b>How the microwave oven works</b> . . . . .	13
<b>Modes of operation</b> . . . . .	14
What can a microwave oven do? . . . . .	14
In what ways can a microwave oven be used? . . . . .	14
Microwave Solo mode . . . . .	14
Automatic programmes . . . . .	14
<b>Suitable containers for microwave ovens</b> . . . . .	15
Material and shape . . . . .	15
Testing dishes for their suitability . . . . .	17
The cover . . . . .	18
<b>Before using for the first time</b> . . . . .	19
<b>Time of day display</b> . . . . .	20
Setting the time of day . . . . .	20
Altering the time of day . . . . .	20
Switching off the time of day display . . . . .	20
Night time switch-off . . . . .	20
<b>Operation</b> . . . . .	21
To open the door . . . . .	21
Placing the dish in the oven . . . . .	21
Turntable . . . . .	21
To close the door . . . . .	21
Starting a programme . . . . .	21
"door" message . . . . .	22
Interrupting or re-starting a programme . . . . .	23
Altering the settings . . . . .	23
To cancel a programme . . . . .	23
At the end of a programme . . . . .	23
Automatic warming function . . . . .	23
Quick start (programmable) . . . . .	24

System lock . . . . .	24
Minute minder . . . . .	25
Altering a minute minder entry . . . . .	25
Minute minder + cooking function . . . . .	25
<b>Operation - Automatic programmes . . . . .</b>	<b>26</b>
Automatic defrosting . . . . .	26
Automatic cooking . . . . .	26
<b>Recipes - Automatic programmes  . . . . .</b>	<b>28</b>
<b>Saving your favourite programme . . . . .</b>	<b>30</b>
<b>Changing the settings . . . . .</b>	<b>32</b>
<b>Reheating . . . . .</b>	<b>34</b>
<b>Cooking . . . . .</b>	<b>35</b>
<b>Defrosting/Defrosting and reheating or cooking . . . . .</b>	<b>36</b>
<b>Preserving . . . . .</b>	<b>37</b>
<b>Some suggested uses . . . . .</b>	<b>38</b>
<b>Cleaning and care . . . . .</b>	<b>39</b>
Oven interior and inside of the door . . . . .	39
Appliance front . . . . .	40
Accessories supplied . . . . .	41
<b>Problem solving guide . . . . .</b>	<b>42</b>
<b>After sales service . . . . .</b>	<b>44</b>
<b>Electrical connection . . . . .</b>	<b>45</b>
<b>Installation . . . . .</b>	<b>46</b>

# Description of the appliance

---

## Oven interior and accessories



① Oven door

② Door lock mechanism

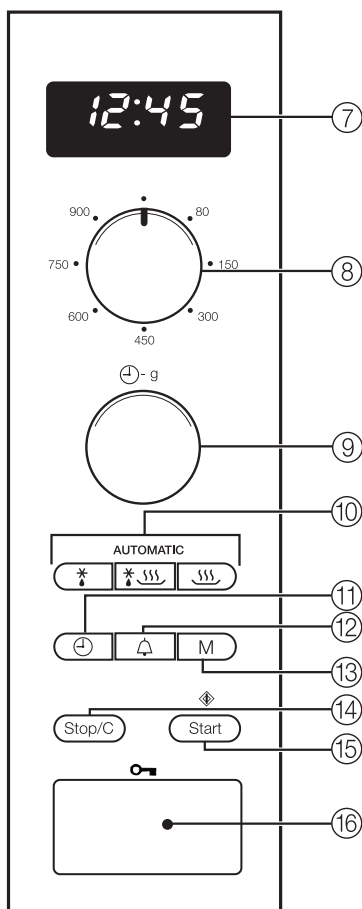
③ Control panel

④ Turntable

⑤ Cover

⑥ Boiling rod

## Control panel



- ⑦ Electronic timer and clock display
- ⑧ Microwave power selector
- ⑨ Selector to enter time and weight
- ⑩ Automatic programme buttons
- ⑪ Time of day button ⊖
- ⑫ Minute minder button ⏰
- ⑬ Memory button (to save a 1-3 stage programme sequence)
- ⑭ Stop/cancel button
- ⑮ Start button / Add a minute button / Quick start button (programmable)
- ⑯ Door release button ⏏

## Accessories supplied

### Cover

The cover supplied must only be used in the Microwave Solo mode.

It prevents the food from drying out and the oven from becoming dirty, and it accelerates the heating process.

### Boiling rod

When heating liquids, the boiling rod provided should always be placed in the container. It helps liquids to heat evenly.

# Caring for the environment

---

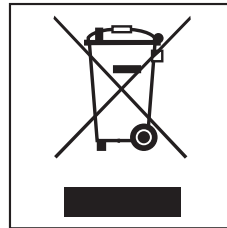
## Disposal of the packing material

The transport and protective packing has been selected from materials which are environmentally friendly for disposal, and can normally be recycled. Ensure that any plastic wrappings, bags, etc. are disposed of safely and kept out of the reach of babies and young children. Danger of suffocation. The transport and protective packing has been selected from materials which are environmentally friendly for disposal and can normally be recycled.

Rather than just throwing these materials away, please ensure they are recycled.

## Disposal of your old appliance

Electrical and electronic appliances often contain materials which, if handled or disposed of incorrectly, could be potentially hazardous to human health and to the environment. They are, however, essential for the correct functioning of your appliance. Therefore, please do not dispose of it with your household waste.



Please dispose of it at your local community waste collection/recycling centre,

Ensure that your old appliance presents no danger to children while being stored for disposal.

# Warning and safety instructions

This appliance complies with all relevant local and national safety requirements. Inappropriate use can, however, lead to personal injury and damage to property. To avoid the risk of accidents and damage to the appliance, please read these instructions carefully before using it for the first time. They contain important notes on installation, safety, use and maintenance. Keep these instructions in a safe place and pass them on to any future owner.

## Correct application

► This appliance is designed for domestic use and for use in similar environments by guests in hotel or motel rooms, bed & breakfasts and other typical living quarters. This does not include common/shared facilities or commercial facilities within hotels, motels or bed & breakfasts.

This appliance is not suitable for outdoor use.

It is intended to cook, defrost, reheat and bottle food. Any other usage is at the owner's risk and could be dangerous.

The manufacturer cannot be held liable for damage resulting from incorrect or improper use or operation.

► This appliance is not intended for use by persons (including children) with reduced physical, sensory or mental capabilities, or lack of experience and knowledge, unless they

have been given supervision or instruction concerning its use by a person responsible for their safety.

► Never use the microwave to store or dry items which could ignite easily. Moisture evaporates. Fire hazard.

► This appliance may only be used in mobile installations if a risk assessment of the installation has been carried out by a suitably qualified engineer.

## Safety with children

► This appliance is not a toy! To avoid the risk of injury, keep children away from it at all times, and do not let them play with it or use the controls. They should be supervised whenever you are working in the kitchen. Children should be supervised to ensure that they do not play with the appliance.

► Older children may use the appliance only when its operation has been clearly explained to them and they are able to use it safely, recognising the dangers of misuse.

## Technical safety

► Before installation, check the appliance for visible signs of damage. Never install or attempt to use a damaged appliance. Danger of injury.

► If the supply cord is damaged, it must be replaced by a Miele approved service technician to avoid a hazard.

# Warning and safety instructions

---

- ▶ Do not use the microwave if
  - the door is warped.
  - the door hinges are loose.
  - holes or cracks are visible in the casing, the door or the oven interior walls.

Operating the appliance with this type of damage will result in microwave leakage and present a hazard to the user. Clean the inside of the oven and all the accessories with warm water applied with a well wrung-out soft sponge or cloth.

- ▶ Never open the casing of the appliance.

Tampering with electrical connections or components and mechanical parts is highly dangerous and can cause operational faults or electric shock.

- ▶ Before connecting the appliance, make sure that the connection data on the data plate (voltage and rated load) match the mains electricity supply. This data must correspond in order to avoid the risk of damage to the appliance. Consult a qualified electrician if in doubt.

- ▶ Do not connect the appliance to the mains electricity supply by a multi-socket unit or an extension lead. These do not guarantee the required safety of the appliance (e.g. danger of overheating).

- ▶ The electrical safety of this appliance can only be guaranteed when continuity is complete between it and an effective earthing system which complies with local and national safety regulations. It is most important that this basic safety requirement is present and tested regularly and, where there is any

doubt, the household wiring system should be inspected by a qualified electrician.

The manufacturer cannot be held liable for the consequences of an inadequate earthing system (e.g. electric shock).

- ▶ For safety reasons, this appliance may only be used when it has been fully installed.

- ▶ Repairs may only be carried out by a suitably qualified and competent person in accordance with national and local safety regulations. Repairs and other work by unqualified persons could be dangerous. The manufacturer cannot be held liable for unauthorised work.

- ▶ While the appliance is under warranty, repairs should only be undertaken by a service technician authorised by the manufacturer. Otherwise the warranty will be invalidated.

- ▶ The appliance is only completely isolated from the electricity supply when:

- it is switched off at the wall socket and the plug removed.
- the mains fuse is disconnected,
- or the screw-out fuse is removed (in countries where this is applicable).

- ▶ Faulty components must only be replaced by genuine Miele original spare parts. The manufacturer can only guarantee the safety of the appliance when Miele replacement parts are used.



# Warning and safety instructions

---

▶ Appliances which are built-in behind a furniture door must only be operated when the door is open. Do not close the furniture door when the appliance is in operation.

▶ In countries where there are areas which may be subject to infestation by cockroaches or other vermin, pay particular attention to keeping the appliance and its surroundings in a clean condition at all times. Any damage which may be caused by cockroaches or other vermin will not be covered by the warranty.

▶ This appliance must not be installed and operated in mobile installations (e.g. on a ship).

## Correct use

▶ Always ensure that food is sufficiently cooked or reheated. Many factors will affect the overall cooking time, including the size and amount of food, its initial temperature, changes to recipe and the shape and size of cooking container. Some foods may contain micro-organisms which are only destroyed by thorough cooking, therefore when cooking or re-heating foods, e.g. poultry, it is particularly important that food is fully cooked through (at temperatures of over 70°C for more than 10 minutes). If in doubt, select a longer cooking or reheating time.

▶ It is important that the heat is allowed to spread evenly throughout the food being cooked. This can be achieved by stirring and/or turning the food, and by observing a sufficiently

long standing time, which should be added to the time needed for cooking, reheating or defrosting.

▶ Always remember that times for cooking, reheating and defrosting in a microwave oven are usually considerably shorter than with traditional methods of food preparation. Excessively long cooking times can lead to food drying out and burning, or could even cause it to catch fire. There is also a danger of fire if breadcrumbs, flowers, herbs, etc., are dried in the microwave oven. Always ensure that this type of procedure is supervised.

▶ Do not use the microwave function to heat up cushions or pads filled with cherry kernels, wheat grains, lavender or gel, such as those used in aromatherapy. These pads can ignite when heated, even after they have been removed from the microwave.

▶ The microwave is not suitable for cleaning or disinfecting items. Items can get extremely hot, and there is a danger of burning when the item is removed from the microwave. Fire hazard.

▶ Do not use full power to warm empty dishes or to dry out herbs. Do not use the appliance without food, or if it is incorrectly loaded.

# Warning and safety instructions

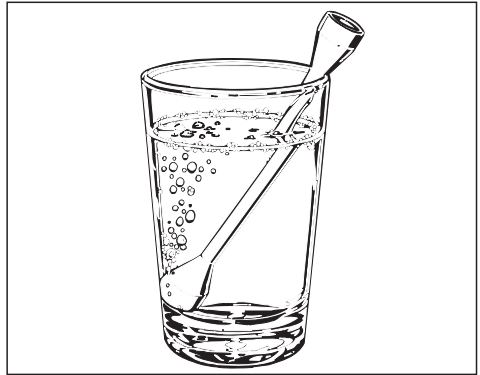
---

▶ Never cook or reheat food or liquids in sealed containers, jars or bottles. With baby bottles, the screw top **and** teat must be loosened. Otherwise pressure builds up which can cause the bottle or container to explode, posing a severe risk of injury. Danger of injury!

▶ Exercise caution when cooking or reheating food with a high sugar content, e.g. Christmas pudding. If heated for too long, the sugar may caramelize or ignite.

▶ Before serving, remember to allow a sufficient standing time and then always check the temperature of the actual food itself after taking it out of the microwave. The temperature of the container is not an indication of the temperature of the food or liquid in it. **This is particularly important when preparing food for babies, children, and the elderly or infirm.** Shake or stir baby milk and food thoroughly after heating, and try it for temperature to ensure that it will not scald the baby. When heating food and drinks, remember that the heat is created in the food itself, and that the container will normally be cooler. The dish is only warmed by the heat of the food.

▶ When heating liquids, the boiling rod provided should always be placed into the container.



When heating liquids, milk, sauces etc. in the oven without the boiling rod, the boiling point of the liquid may be reached without the production of typical bubbles. The liquid does not boil evenly throughout. This so-called 'boiling delay' can cause a sudden build-up of bubbles when the container is removed from the oven or shaken, which can lead to the liquid boiling over suddenly and explosively. Danger of burning.

The formation of bubbles can be so strong that the pressure forces the oven door open, with a danger of burning. The boiling rod ensures that bubbles are produced, and that liquids heat evenly.

## Warning and safety instructions

---

▶ To avoid fuelling any flames, do not open the oven door if smoke occurs in the oven interior.

Interrupt the process by pressing the Stop/C button twice. Switch off at the wall socket, and where applicable, remove the plug.

Do not open the door until the smoke has dispersed.

▶ Never heat undiluted alcohol in the microwave, as this can easily ignite. Fire hazard.

▶ Do not heat up tins in the microwave. Pressure can build up and they may explode, resulting in injury or damage.

▶ Cover any food which is left in the microwave to be kept hot, as moisture in the food could lead to corrosion damage in the microwave. This also prevents the food from drying out.

▶ Try to avoid the interior walls being splashed with food or liquids containing salt. If it does happen, wipe these away thoroughly to avoid corrosion on the stainless steel surface.

▶ Do not use any containers or cutlery made from or containing metal, aluminium foil, lead crystal glassware, temperature-sensitive plastics, wooden utensils or cutlery, metal clips or wire ties. Do not use bowls with milled rims, or plastic pots with the foil lid only partially removed. Such items could be damaged or cause a fire hazard.

▶ Do not leave the oven unattended when reheating or cooking food in disposable containers made of plastic, paper or other inflammable materials. Before using single-use containers make sure they are suitable for use in microwave ovens. See "Suitable containers for microwave ovens".

▶ Eggs can only be cooked in their shells using microwave heat in a specially designed egg-boiling device available from specialist shops. Similarly, hard-boiled eggs should not be reheated using microwave power as this may lead to the eggs exploding, even after they have been taken out of the oven.

▶ Eggs can be cooked without their shells using microwave heat only if the yolk membrane has been punctured several times first.

The pressure could otherwise cause the egg yolk to explode.

Danger of injury!

▶ Food with a thick skin or peel, such as tomatoes, sausages, jacket potatoes and aubergines, should be pierced or the skin cut in several places before cooking to allow steam to escape and prevent the food from bursting.

▶ Do not reheat food in the oven in heat-retaining bags intended for use in normal ovens. These heat-retaining bags usually contain a thin layer of aluminium foil which reflects microwaves. This reflected energy can, in turn, cause the outer paper covering to become so hot that it ignites.

## Warning and safety instructions

---

▶ Always ensure that food, the gourmet plate or a browning dish has been placed in the microwave, and that the turntable is in place, before switching on.

▶ Do not use the appliance for deep frying food, and do not leave it unattended when cooking with oils and fats as these can be a fire hazard if allowed to overheat.

▶ Ovenproof earthenware can retain a considerable amount of moisture. Earthenware and porcelain containers with hollow handles and lid knobs must only be used in this oven if they have vent holes which allow the moisture to escape. Without vent holes pressure can build up, causing the container to crack or shatter with the danger of injury.

▶ Do not use the appliance to heat up the room. Due to the high temperatures radiated, objects near the appliance could catch fire.

▶ To check food temperature, first interrupt the cooking process. Only use a thermometer specifically approved for food use to measure the temperature of the food. Never use a thermometer containing mercury or liquid, as these are not suitable for use with very high temperatures and will break very easily

▶ Do not use a steam-cleaning appliance to clean this appliance. Pressurised steam could reach the electrical components and cause a short circuit.

### **The following applies to stainless steel surfaces:**

▶ Do not adhere stickers, adhesive tape or any other adhesive materials to stainless steel surfaces. The coating will become damaged and lose its protective properties against soiling.

Stainless steel scratches very easily and even magnets can cause damage to the surface.

The manufacturer cannot be held liable for damage caused by non-compliance with these Warning and safety instructions.

# How the microwave oven works

---

In a microwave oven there is a high-frequency tube called a magnetron. This converts electrical energy into microwaves. These microwaves are distributed evenly throughout the oven interior, and rebound off the metal sides of the oven interior to reach the food from all sides. Microwave distribution is improved with the turntable engaged.

In order for microwaves to reach the food, they must be able to penetrate the cooking utensil being used. Microwaves can penetrate porcelain, glass, cardboard and plastics, but not metal. Do not, therefore, use utensils made of metal, or which contain metal, for example in the form of gold or silver trim. The metal reflects the microwaves and this could lead to the creation of sparks. The microwaves cannot be absorbed.

Microwaves pass through a suitable container and find their way directly into the food. All food contains moisture molecules which, when subjected to microwave energy, start to oscillate 2.5 thousand million times a second. The friction caused by this vibration creates heat, which first starts developing around the outside of the food and then slowly penetrates towards the centre. The moisture, fat and sugar content of food will affect the speed at which it is cooked.

As heat is produced directly in the food,

- food can generally be cooked without adding much liquid or cooking oil.
- cooking, reheating and defrosting in a microwave oven is quicker than using conventional methods.
- nutrients, such as vitamins and minerals, are generally retained.
- the colour, texture and taste of food are not impaired.

Microwaves stop being produced as soon as the cooking process is interrupted or the appliance door is opened.

When the appliance is in operation, the closed, sealed door prevents microwaves escaping from the appliance.

# Modes of operation

---

## What can a microwave oven do?

In the microwave oven, food is cooked, reheated or defrosted quickly.

You can use the microwave in the following ways:

- Food can be defrosted, reheated or cooked by entering a power setting and a time.
- Deep-frozen, ready-made meals can be defrosted and then reheated or cooked.
- The microwave oven can also be used for other tasks, e.g. for proving dough, melting chocolate and butter, dissolving gelatine or for bottling small amounts of fruit and vegetables etc.

## In what ways can a microwave oven be used?

### Microwave Solo mode

Suitable for defrosting, reheating and cooking.

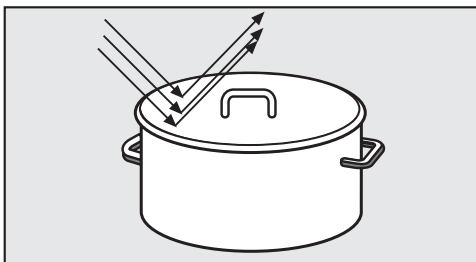
### Automatic programmes

You can choose from the following automatic programmes:

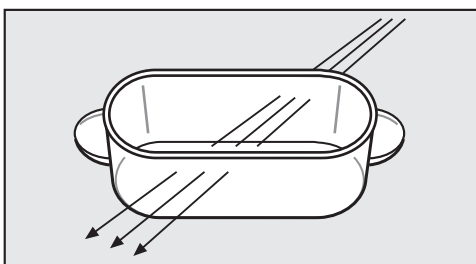
- Five defrosting programmes (☼: Ad 1 to Ad 5),
- three cooking programmes for frozen food (☼ ☺☺☺: AC 1 to AC 3)
- and three cooking programmes for fresh food (☺☺☺: AC 1 to AC 3).
- These programmes are weight dependent. You enter the weight of the food, and then the cooking time is calculated automatically.

# Suitable containers for microwave ovens

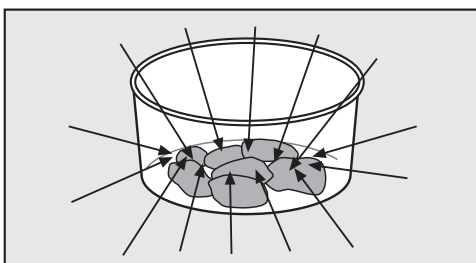
## Microwaves



- are reflected by metal,



- pass through glass, porcelain, plastic and card,



- and are absorbed by food.

## Material and shape

The material and shape of containers used affect cooking results and times. Heat distribution is more even in round and oval shaped flat containers than in rectangular containers, providing better results.

Containers and lids with hollow handles or knobs in which moisture can collect are unsuitable, unless the hollowed areas are adequately vented.

Without vent holes pressure can build up, causing the container to crack or shatter with the danger of injury.

## Metal

Metal containers, aluminium foil, metal cutlery, and china with metallic decoration such as gold rims or cobalt blue must not be used on microwave mode.

Metal reflects microwaves and obstructs the cooking process. Also, avoid using plastic pots where the foil lid has not been completely removed.

Exceptions:

- Ready-meals in aluminium foil dishes

These can be defrosted and reheated in the microwave oven, if recommended by the manufacturer.

Remove the lid and make sure the foil dish is at least 2 cm from the oven walls at all times.

Important:

As food is only heated from the top, it is better to remove the food from the aluminium foil container and transfer it to a dish suitable for a microwave oven. The heat distribution will be more even. Do not place aluminium foil dishes in the microwave in case the dish sparks or arcs. If sparks occur, transfer food to a microwave-safe container.

# Suitable containers for microwave ovens

---

- Pieces of aluminium foil

For even defrosting and to avoid overcooking unevenly shaped cuts of meat, poultry or fish, small pieces of aluminium foil may be used to mask wingtips or other thin parts for the last few minutes of the programme.

Make sure that the aluminium foil is at least 2 cm from the oven walls at all times. It must not touch the walls.

- Metal meat skewers or clamps

These should only be used if they are very small in comparison to the size of the cut of meat.

## Glassware

Heat-resistant glass or ceramic glass are ideal for use in the microwave oven.

Crystal glass is unsuitable as it contains lead which could cause the glass to crack in the microwave.

## Porcelain

Porcelain is a suitable material.

Do not use porcelain with gold or silver edging or items with hollow knobs or handles, as insufficient ventilation may cause pressure.

## Earthenware

Decorated earthenware is only suitable if the decoration is beneath an all-over glaze.

Earthenware can get very hot, and may crack.

## Glazes and colours

Some glazes and colours contain metals which make them unsuitable for use in a microwave oven.

## Wood

Wooden dishes are not suitable. Moisture contained in the wood evaporates when exposed to microwave energy, causing the wood to dry and crack.

## Plastics

When purchasing plasticware, make sure that it is suitable for use in a microwave oven.

They must be heat-resistant to a minimum of 110°C. Otherwise the plastic may melt and fuse with the food.

Special plastic utensils designed for use in microwave ovens are available from good retail outlets.

Melamine is not suitable for use in this as it absorbs microwave energy and gets hot.



# Suitable containers for microwave ovens

Disposable containers, such as trays made from polystyrene, can only be used for very short, timed warming and reheating of food.

Plastic boiling bags can be used for cooking and reheating. They should be pierced beforehand so that steam can escape. This prevents a build-up of pressure and reduces the risk of the bag bursting.

Do not use metal clips, plastic clips containing metal parts, or paper ties containing wire. There is a danger that they will ignite when heated. Fire hazard.

## Disposable containers

Only those plastic disposable containers which are specified by the manufacturer as suitable for use in a microwave oven may be used.

Do not leave the oven unattended when reheating or cooking food in disposable containers made of plastic, paper or other inflammable materials.

Disposable containers are not always recyclable or bio degradable.

## Testing dishes for their suitability

If in doubt as to whether glass, earthenware or porcelain plates or dishes are suitable for use in a microwave oven, a simple test can be performed:

- Place the item you wish to test in the centre of the oven, fill a suitable glass with water and also place this in the oven.
- Close the door.
- Turn the power selector to 900 W.
- Enter a time of 30 seconds with the time selector.
- Press the Start button.

At the end of the test, the water in the glass should be warm and the dish cool. If the dish is hot and the water cold, it would be unwise to use the dish.

If a crackling noise is heard accompanied by sparks during the test, switch the appliance off immediately (press button Stop/C twice).

Any crockery which causes this reaction is unsuitable for use with microwave power.

If any doubt exists about the suitability of containers, please contact the supplier.

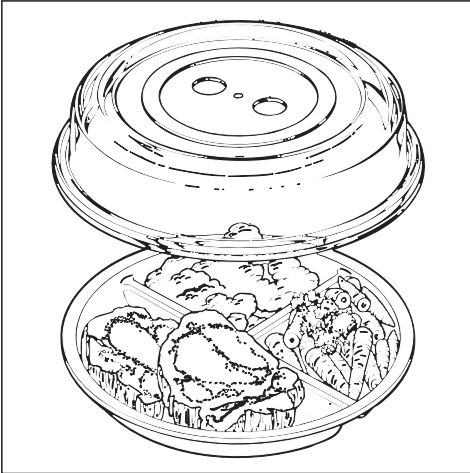
This test cannot be used to check whether items with hollow knobs or handles are suitable for use with microwave power.

# Suitable containers for microwave ovens

---

## The cover

- prevents too much steam escaping, especially when cooking foods which need longer to cook, such as potatoes.
- speeds up the cooking process.
- speeds up the cooking process.
- prevents food from drying out.



Always cover food with the cover supplied.

Alternatively, use lids or covers made of microwave-safe glass or plastic, or use a clingfilm recommended for use in a microwave oven (pierce as instructed by the manufacturer).

Heat can cause normal clingfilm to distort and fuse with the food.

Sealed glass containers, such as jars of baby food, must be opened before they are placed in the oven.

## Do not use a lid or cover if

- food coated with breadcrumbs is being cooked.
- cooking meals which are to be given a crisp finish.

Because the cover can only withstand temperatures of up to 110°C, it must only be used in Microwave Solo mode. At temperatures in excess of 110°C, the plastic can melt and get into the food.

The cover should not form a seal with the container. If the cover is used with a container which only has a narrow diameter, there might not be enough room for condensation to escape through the holes in the top. The cover could get too hot and could start to melt.

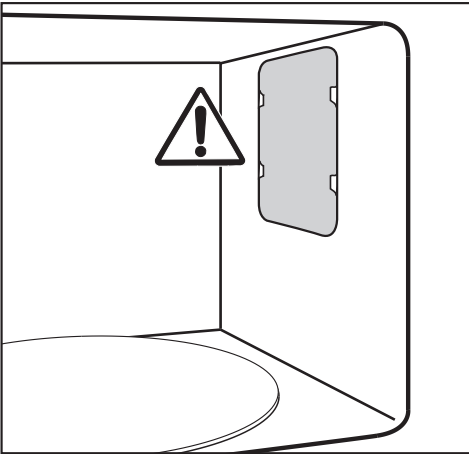
## Before using for the first time

### Important:

After unpacking, let the appliance stand for approx. 2 hours at room temperature after transporting it to its final location before connecting it to the mains.

This is important for the correct electronic functioning of the appliance.

- Remove all the packaging materials and any protective foil from the appliance.



Do not remove the cover to the microwave outlet inside the oven, nor the film covering the inside of the door.

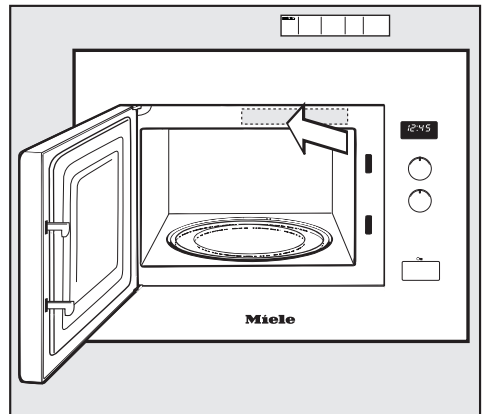
- Check the appliance for any damage.

Do not use the microwave if

- the door is warped.
- the door hinges are loose.
- holes or cracks are visible in the casing, the door or the oven interior walls.

Operating the appliance with this type of damage will result in microwave leakage and present a hazard to the user.

- Clean the inside of the oven and all the accessories with warm water applied with a well wrung-out soft sponge or cloth.

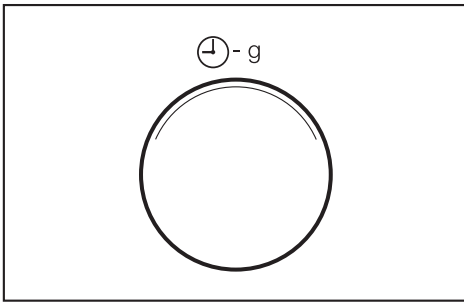


- Stick the enclosed short instructions to the frame behind the door as illustrated, making sure they do not block any of the vents.

# Time of day display

## Setting the time of day

- Connect the appliance to the mains electricity supply.  
12:00 and the ⊖ symbol will flash in the display until the current time of day is set. Before this, the time of day will start to run from 12:00, as the clock will start as soon as the appliance is connected to the mains electricity supply.



- Turn the time selector to set the hour.
- Press the ⊖ button.
- Then turn the time selector to set the minutes.
- Press the ⊖ button to confirm, or wait a few seconds.  
The set time is now registered. The colon between hours and minutes flashes.

## Altering the time of day

- Press the ⊖ button.  
The ⊖ symbol will flash in the display, and the current hour will light up for a few seconds.
- Use the time selector to alter the hour.

- Press the ⊖ button to confirm, or wait a few seconds.  
The ⊖ symbol will flash, and the current minutes will light up for a few seconds.
- Use the time selector to alter the minutes.
- Press the ⊖ button to confirm, or wait a few seconds.

## Switching off the time of day display

- Press and hold the ⊖ button in until the display goes dark.

Pressing and holding the ⊖ button again will bring the time of day back in the display.

## Night time switch-off

The time of day display can be set to switch itself off from 23:00 hrs until 04:00 hrs.


## Setting the time of day display to switch off at night

- Press and hold in the Stop/C button, and at the same time press the ⊖ button.  
*ON* appears in the display.  
The appliance can still be operated.

## To switch the display back on:

- Press and hold the Stop/C button, and at the same time press the ⊖ button.  
*OFF* appears in the display.

## To open the door

- Press the  button to open the door.

If the microwave oven is being used, opening the door will interrupt the cooking programme.

## Placing the dish in the oven

Ideally the dish should be placed in the middle of the oven.

## Turntable

The turntable helps the food to cook, reheat or defrost evenly.

Do not operate the microwave without the turntable in place.

The turntable starts turning automatically when the appliance is operated.

Do not cook, reheat or defrost food directly on the turntable. Check that the dish is not larger in size than the turntable.

Turn or stir food during cooking, or turn the dish so that it heats up evenly.

## To close the door

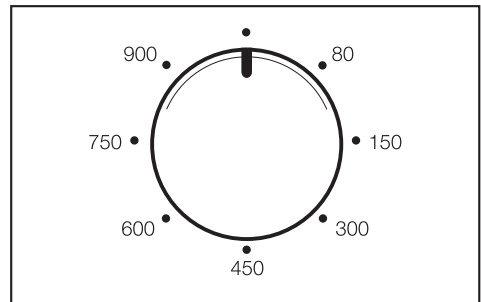
- Push the door firmly shut.


Press the Start button again to resume an interrupted cooking programme.

The appliance will not start again if the door has not been closed properly.

## Starting a programme

Use the appropriate selector to choose the microwave power level and the cooking time.



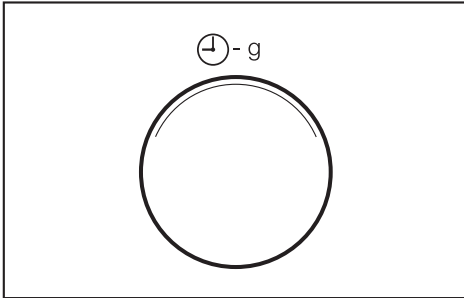
- Use the power selector to select a microwave power level. The  symbol lights up in the display and 0:00 flashes.

There is a choice of 7 power levels. The higher the power level, the more microwaves reach the food.

# Operation

When heating up food which cannot be stirred or turned during cooking, as with a plated meal, it is best to use a lower microwave power level.

This ensures the heat is distributed evenly. Heat for long enough to cook the food properly.



- Set the required time using the time selector.

Any time between 10 seconds and 90 minutes can be selected.

Exception: If the maximum microwave power is selected, a maximum cooking duration of 15 minutes can be set. If you then continue to select full power, the power level may reduce to 600 W, and this is shown in the display (protection against overheating).

Overheating protection

The time required depends on:

- the initial temperature of the food.  
Food taken from the refrigerator will need longer to reheat or cook than food already at room temperature.
- the type and texture of the food.  
Fresh vegetables contain more water and cook more quickly than stored vegetables.

- the frequency of stirring or turning the food.

Frequent stirring or turning heats the food more evenly, and it is therefore ready in a shorter time.

- the amount of food.

As a general rule, allow approx. time and a half for double the quantity.

For a smaller quantity, possibly shorten the time but ensure food is cooked thoroughly.

- the shape and material of the container.

- Press the Start button to start the programme.

The interior lighting comes on.

A programme can only be started if the door is closed.

## "door" message

The "door" message in the display is a reminder that the appliance should not be used without food inside it.

Operating the appliance without food can damage the appliance.

If the door has been closed for 20 minutes or longer when the Start button is pressed, the word **door** will appear in the display to remind you to open the door and make sure there is food in the oven before you press Start. You cannot start a process until you do this.

## Interrupting or re-starting a programme

At any time you can . . . . .

### . . . interrupt a programme

- Press the Stop/C button, or open the appliance door.

The time stops counting down.

### . . . continue a programme

- Close the door and press Start.

The programme continues.

## Altering the settings

If you discover after starting a programme that . . . .

. . . the **Microwave power level** is too high or too low, you can

- select a new level.

. . . the **time** set is too short or too long, you can

- interrupt the programme (press the Stop/C button once), use the time selector to set a new time and continue the programme (press the Start button),

or alternatively:

- the cooking duration can be increased by pressing the Start button during operation. Each time the Start button is pressed, the cooking duration is increased by another minute. (Exception: the increased cooking time is in increments of 30 seconds when the microwave is being used on maximum power.)

## To cancel a programme

- Press the Stop/C button twice.

## At the end of a programme


An audible tone will sound when the cooking programme is complete. The oven interior lighting goes out.

The audible tone will sound briefly as a reminder every 5 minutes for 20 minutes after the end of the programme.

- If you want to stop the audible tone, press the Stop/C button. Automatic warming function

## Automatic warming function

The warming function will switch on automatically at 80 W for a maximum of 15 minutes approx. 2 minutes after the end of a cooking programme which has used at least 450 W, providing the door remains closed and no buttons are pressed.

, 80 W and **H:H** will light up in the display.

Opening the door or operating one of the buttons or selectors while the warming function is in progress cancels the function.

The warming function cannot be set as a separate function.

# Operation

## Quick start (programmable)

Pressing the Start/⬠ button is sufficient to set the appliance operating on maximum power.

Three set times are stored in the memory:

- 30 s: Press Start ⬠ once
- 1 min: Press Start ⬠ twice
- 2 min: Press Start ⬠ three times

Pressing the Start ⬠ button four times in succession will bring back the first stored time and so on.

The cooking duration can be increased by pressing the Start button during operation; each time the Start button is pressed, the cooking duration is increased by another 30 seconds.

## Programming times

To alter the set times:

- Use the Start ⬠ button to select the time you want to reprogramme (press once, twice or three times), and hold the Start ⬠ button pressed in.
- While holding the Start button pressed in, alter the time with the time selector (to max. 15 minutes). The altered programme runs when the Start ⬠ button is released.

An interruption to the power supply will cancel any altered programmed times, and they will need to be entered again.

## System lock

The system lock prevents the appliance being used by children, for example.

### To activate the system lock

- Press and hold the Stop/C button in until an audible tone sounds and the key symbol appears in the display:



The key symbol will go out after a short time.

The key symbol reappears whenever any button or one of the rotary selectors is operated.

After an interruption to the mains power supply, the system lock will need to re-activated.





### To cancel the system lock

- Press the Stop/C button again and hold it pressed in until an audible tone sounds.



## Minute minder

The minute minder can be used to time any activity in the kitchen, e.g. boiling eggs. The time set counts down in one second steps.




- Press the  button.  
0:00 flashes in the display and the  symbol lights up.
- Use the time selector to set the minute minder time you require.
- Press the Start button to start the minute minder.  
The minute minder time will start itself after a few seconds if the Start button is not pressed.
- At the end of the minute minder time, an audible tone sounds. The time of day reappears and the  symbol flashes.
- Press the Stop/C button once and the  symbol disappears.

## Altering a minute minder entry

- Press the Stop/C button.  
The minute minder time is interrupted.
- Set a new minute minder time, as described above.


## Minute minder + cooking function

The minute minder can be used at the same time as a cooking function, and counts down in the background.

- Press the  button whilst the cooking function is in progress.  
0:00 flashes in the display and the  symbol lights up.
- Use the time selector to set the minute minder time you require.
- After a few seconds the minute minder time set will begin to count down.  
A few seconds later, the display will change again to show the cooking duration counting down. The minute minder time is represented by the  symbol in the background.

The Start button is not used in this instance to start the minute minder, as pressing the Start button would also increase the cooking duration by a minute.

## To find out the minute minder time remaining

- Press the  button.  
The minute minder time still remaining will show in the display.


# Operation - Automatic programmes

All of the automatic programmes are weight dependent.

After selecting a programme, enter the weight of the food. The microwave automatically calculates the time according to the weight given.

After cooking, allow the food to stand at room temperature for the suggested number of minutes ("standing time") to allow the heat to be distributed evenly through the food.

## Automatic defrosting

There are five programmes for defrosting different types of food (button ) . The standing time for programme Ad 3 is up to 30 minutes, depending on the weight, and approx. 10 minutes for the remaining programmes.

Ad 1  Steak, cutlets (0.2 – 1.0 kg)

Ad 2  Mince (0.2 – 1.0 kg)

Ad 3  Chicken (small, whole) (0.9 – 1.8 kg)

Ad 4  Cakes (0.1 – 1.4 kg)

Ad 5  bread (0.1 – 1.0 kg)


This programme is used best for sliced breads. If possible, place single slices in the microwave, or separate the slices when the signal sounds.


## Automatic cooking

There are three programmes for frozen and fresh food. The standing time for each programme is approx. 2 minutes.

### Cooking food from frozen

AC 1  Vegetables (0.1 – 0.6 kg)

AC 2  Ready meal which can be stirred (0.3 – 1.0 kg)

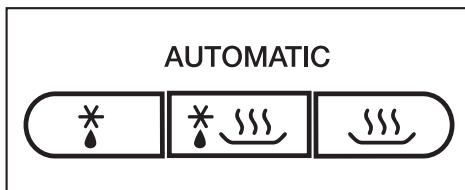
AC 3  Bakes and gratins (0.2 – 0.6 kg)



### Cooking fresh food


AC 1  Vegetables (0.1 – 0.6 kg)

AC 2  Potatoes (0.1 – 0.8 kg)

AC 3  Fish (0.5 – 1.5 kg)



- Press the relevant button repeatedly until the automatic programme required shows in the display. For example, to select Programme Ad 3  (for defrosting a small, whole chicken), press the  button three times.


"g" will flash in the display to request the weight to be entered, and the programme (e.g. Ad 3) will light up together with the Microwave symbol .

- Use the rotary selector to enter the weight.

## Operation - Automatic programmes

---

- Press the Start button.

The cooking duration, which is dependent on the weight, will begin to count down, and the Microwave symbol  will light up.

An audible tone will sound halfway through the cooking time.


- Interrupt the programme to turn or stir the food, and then continue the programme.

The programmed time can, if necessary, be extended by a few minutes during operation by pressing the Start button repeatedly until the time required shows in the display. On all programmes it is only possible to extend the time by a few minutes.

An audible tone will sound when the cooking programme is complete. The interior lighting of the oven goes out.

## Recipes - Automatic programmes

---

Below are some recipe suggestions for the Automatic programmes using the "Cooking fresh food" function ". These can be adapted to suit your requirements.

It is important to follow the weight guidelines for the programme concerned. If the weight guidelines are exceeded, the food will not cook sufficiently.

### AC 1 Vegetables

Place the prepared vegetables in a container. Depending on the freshness and moisture content of the vegetables, add 3-4 tbsp water. Enter the weight including that of the water, place the covered cooking container on the turntable and cook. Halfway through the cooking duration, an audible tone will sound to prompt you to turn or stir the food.

When cooking vegetables in a sauce, the weight entered must include the sauce. Do not exceed the maximum weight guidelines.

### Carrots in a chervil cream sauce (serves 2)


Cook time: 25 - 35 minutes

350 g carrots, washed and peeled  
5 g butter  
50 ml vegetable stock (instant)  
75 g crème fraîche  
1 tbsp white wine  
Salt and pepper  
A pinch of sugar  
½ tsp mustard  
1-2 tbsp fresh chervil, chopped, or  
1 tbsp dried chervil, chopped  
Approx. 1 tbsp cornflour

Cut the carrots into fine batons or slices (approx. 3-4 mm thick) and place in a cooking container.

Combine the rest of the ingredients to make a smooth sauce, and pour over the carrots.

Cover and cook. Stir when the audible tone sounds halfway through the cooking duration.

Setting: Cooking fresh food AC 1   
Weight: 525 g

## AC 2 Potatoes

This programme can be used to cook new potatoes and boiled potatoes.

Enter the weight for the potatoes and the cooking liquid.

For new potatoes, wash and drain the potatoes and place them in a cooking container. Season with a little salt, cover and cook.

When cooking potatoes, add approx. 1 tbsp water per potato. If cooking the potatoes in their skins, pierce the skins several times with a fork or skewer before cooking, then cover the container and cook.

## Golden curried potatoes (serves 3)

Cook time: 25 - 35 minutes

500 g peeled potatoes  
1 onion, finely diced  
10 g butter  
1-2 tbsp curry powder  
250 ml vegetable stock (instant)  
50 ml double cream  
125 g peas (frozen)  
Salt and pepper

Cut the potatoes into large cubes (approx. 3 x 3 cm), or use small potatoes.

Place all of the ingredients into a suitable container and mix well.

Cover and cook. Stir when the audible tone sounds halfway through the cooking duration.

Setting: Cooking fresh food AC 2 

Weight: 1,000 g

## AC 3 Fish Caribbean fish (serves 4)

Cook time: 35 - 45 minutes

300 g pineapple pieces (tinned)  
1 red capsicum  
1 small banana  
500 g perch fillets  
3 tbsp lemon juice  
30 g butter  
100 ml white wine  
100 ml pineapple juice  
Salt, sugar and chilli powder  
2 tbsp cornflour

Dice the fish and place in a suitable container. Drizzle with lemon juice.

Quarter the capsicum, remove the seeds and pith, and cut into narrow strips. Peel and slice the banana. Add to the fish along with the capsicum and pineapple pieces, and mix well. Add the butter.

Mix together the wine, juice, seasoning and cornflour to make a smooth sauce, and pour over the fish. Mix everything thoroughly, then cover and cook.

Setting: Cooking fresh food AC 3 

Weight: 1,200 g

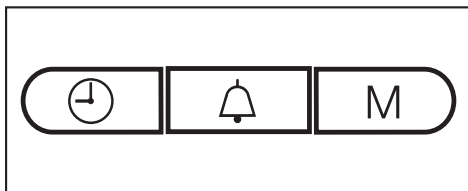
## Saving your favourite programme

One favourite programme can be saved in memory. This programme can be used for your most frequently cooked recipe. This programme can have up to 3 stages (e.g.: 2 minutes at 600 W, followed by 10 minutes at 450 W, and finally 3 minutes at 300 W).

### Programming

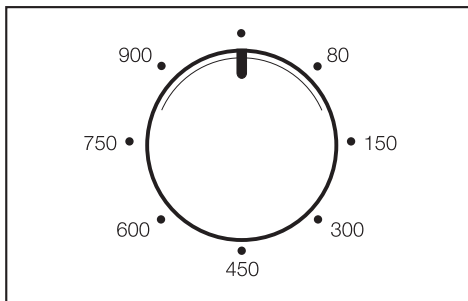
(e.g. three step programme sequence)

- First select the power level for the first stage.
- Then select the duration.



- Press button M. 1 will light up in the display, and 2 will flash.
- Then select the second power level and duration.
- Press button M again. 2 will light up in the display, and 3 will flash.
- Then select the second power level and duration. Press the M button.

After this third step, you can use the M button to scroll through your entry and check it.



- When you have finished programming, turn the power selector to the 12 o'clock position.
- Start the programme to save the entry. Only ever run the entire programme with food in the appliance.

If there is no food in the appliance, then press the Stop/C button twice as soon as you have started it so that the appliance is not damaged by having no food in it.

1- and 2-stage programmes can be saved in the same way: the programming process is finished when the programme selector is in the 12 o'clock position and the Start button has been pressed, while pressing the M button shows the next stage.

### Changing an entry

- Entering a new programme overrides the previously saved programme.

## Saving your favourite programme

---

### To call up your favourite programme

- Turn the programme selector to the 12 o'clock position.
- Press the M button.
- Press the Start button.

In the event of a power cut, the favourite programme is no longer saved and must be re-entered.

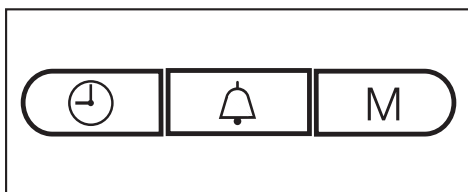
## Changing the settings


You can change the standard default settings by altering the "status" of the setting.

Please consult the chart for the different options.

The factory settings are marked with a star\* on the chart.

Proceed as follows:



- Press and hold the ⌚ and M buttons at the same time until **P 1** and  light up in the display. Then release them. If you press them for too long, the time of day will appear again in the display.
- Use the time selector to select the setting that you wish to change (**P 1** bis **P 5** und **P 0**). Turn it until the setting required shows in the display.
- Then press the M button to call up the setting.  
**5** will appear in the display to show that the setting can be changed.
- Turn the time selector if you wish to change the setting (see chart), and confirm your entry by pressing the M button (for **P 5** and **P 0**, press and hold the M button for approx. 4 seconds).

The change to the status is then stored in memory. "**P**" will appear in the display again together with the number for the setting.

The other settings can be changed in the same way.

- When you have finished making the changes you require, press the Stop/C button.

The altered settings are retained after a power cut.



## Changing the settings

Setting		Settings available (* factory default)	
<i>P 1</i>	Night time switch-off	<i>S 0*</i> <i>S 1</i>	Night time switch-off is deactivated. Night time switch-off is activated. The time of day display is switched off from 11 pm to 4 am.
<i>P 2</i>	Automatic warming function	<i>S 1*</i> <i>S 0</i>	The automatic warming function is activated. The automatic warming function is deactivated.
<i>P 3</i>	"door" message	<i>S 1*</i> <i>S 0</i>	The "door" message appears if the door has not been opened during the 20 minutes before Start is pressed. Start is then blocked, as it is assumed that there is no food in the appliance. The "door" message does not appear.
<i>P 4</i>	Audible tone	<i>S 1*</i> <i>S 0</i>	The audible tone sounds briefly as a reminder every 5 minutes for 20 minutes after the end of the programme. The audible tone is deactivated.
<i>P 5</i>	Demo mode (for showroom use only)	<i>S 0*</i> <i>S 1</i>	Demo mode is deactivated. When demo mode is deactivated, _ _ _ _ appears briefly in the display. Demo mode is activated. When a button or selector is operated, <i>NE5_</i> shows briefly in the display. The appliance can be operated, but the microwave function does not come on.
<i>P 0</i>	Factory default	<i>S 1*</i> <i>S 0</i>	Factory default settings have been restored, or have not been changed. Factory default settings have been changed.

# Reheating

---

Select the following microwave power levels to reheat food:

Drinks . . . . . 900 W  
Food . . . . . 600 W  
Food for babies and toddlers . . . 450 W

We do not recommend heating or reheating food or drinks for babies or young children in the microwave oven. Any decision to do this is the responsibility of the user, and should only be done with the utmost care. Pasteurised or sterilised cooked food should be gently heated for  $\frac{1}{2}$  to 1 minutes at 450 W, and tasted to make sure it is not too hot for a baby's palate before serving. When reheating other food or drink, heat to a high temperature and allow to cool to a suitable heat for eating. For formula milk follow the manufacturer's instructions.

## Tips on reheating

Always use a lid or cover for reheating food, except when a drier finish is needed, e.g. breaded poultry/meat.

Always remove the lids from jars, especially jars of baby food. Loosen the screw cap with the rubber teat before warming baby bottles. When reheating liquids, place the boiling rod supplied with the appliance into the cup or glass. Never reheat hard boiled eggs in a microwave oven, even without the shell. The eggs can burst.

Food taken straight from the refrigerator takes longer to cook than food which has been kept at room temperature. The time required depends on the nature of the food, its initial temperature and the amount to be cooked.

Always ensure that food is sufficiently cooked or reheated.

If in any doubt that a sufficiently high temperature has been reached, continue reheating for a little longer.

Stir or turn food from time to time during cooking. Stir the food from the outside towards the middle, as food heats more quickly from the outside.

## After reheating

Be careful when removing a dish from the oven. It may be hot.

Although heat is not normally produced in the container itself by the microwaves (apart from stoneware), heat transfer from the food to the container may be considerable, making the container itself hot.

Allow food to stand for a few minutes at room temperature at the end of a reheating process to enable the heat to spread evenly throughout the food.

After reheating food, especially food for babies and small children, stir the food or shake the container and check that the temperature does not pose any danger. Double check after it has been left to stand. Danger of burning.

Place the food in a microwave-proof dish and cover it.

When cooking, it is a good idea to select a power level of 900 W to start with and then when the food is hot reduce the power level to 450 W for more gentle continued cooking.

For dishes such as **rice or semolina pudding**, first select a power level of 900 W, and then reduce it to 150 W for simmering.

## Tips on cooking

Vegetable cooking times depend on the texture of the vegetable.

Fresh vegetables contain more water than vegetables which have been stored, and usually cook more quickly. Add a little water to vegetables which have been kept stored.

Food taken straight from the refrigerator takes longer to cook than food which has been kept at room temperature.

Stir or turn food from time to time during cooking to help it cook more evenly.

Ensure that food such as meat and fish are thoroughly cooked for an appropriate length of time.

**Food with a thick skin or peel**, such as tomatoes, sausages, jacket potatoes and aubergines, should be pierced or the skin cut in several places before cooking to allow steam to escape and to prevent the food from bursting.

Eggs can only be cooked in their shells in the microwave oven in a specially designed egg-boiling device available from specialist shops.

Eggs can burst, even after they have been taken out of the oven.

Eggs can be cooked without their shells in the microwave oven only if the yolk membrane has been punctured several times first.

The pressure could otherwise cause the egg yolk to explode.

## After cooking

Be careful when removing a dish from the oven. It may be hot.

Although heat is not normally produced in the container itself by the microwaves (apart from stoneware), heat transfer from the food to the container may be considerable, making the container itself hot.

Allow food to stand for a few minutes at room temperature at the end of cooking to enable the heat to spread evenly throughout the food.

# Defrosting/Defrosting and reheating or cooking

---

Do not refreeze food once it has thawed. Defrosted food should be used up as quickly as possible as food soon loses its nutritional value and goes off. Defrosted food may only be refrozen after it has been cooked.

## Defrost

Select the following microwave power settings to reheat food:

- 80 W  
for defrosting very delicate food, e.g. cream, butter, gateau and cheese.
- 150 W  
for defrosting everything else.

Remove the food from its packaging and place in a microwave-proof container. Do not cover. Turn, stir or separate the food about halfway through the defrosting time.

To defrost meat, unpack the frozen meat and place it on an upturned plate in a glass or china container so that the meat juice can run off and be collected. Turn halfway through defrosting.

It is particularly important to observe food hygiene rules when defrosting poultry. Do not use the liquid from the defrosted poultry. Pour it away, and wash the tray, the sink and your hands.  
Danger of salmonella poisoning!

Fish does not need to be fully defrosted before cooking.

Defrost so that the surface is sufficiently soft to take herbs and seasoning.

## Defrosting followed by reheating or cooking

Deep-frozen food can be defrosted and immediately reheated or cooked.

After defrosting, select 900 W followed by 450 W.

Remove the food from its packaging and place in a covered microwave-proof dish for defrosting and reheating or cooking. Exception: Minced meat should be left uncovered while cooking.

Soups, stew and vegetables should be stirred several times during the process. Carefully separate and turn slices of meat halfway through the programme. Turn pieces of fish at the halfway stage.

## After defrosting followed by reheating or cooking

Allow the food to stand at room temperature for a few minutes to enable the heat to spread evenly throughout the food.

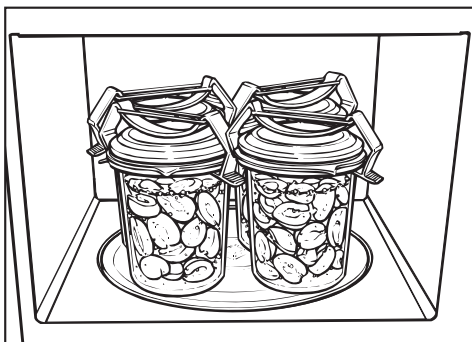
You can preserve small portions of fruit and vegetable into preserving jars with your microwave. Prepare the jars in the usual way. Fill the jars up to 2 cm below the rim.

Close the jars with clear adhesive tape or with clips suitable for microwave use.

Never use metal clips or jars with screw-on lids.

Do not use tins for preserving food. Pressure can build up and they may explode, resulting in injury or damage.

Do not attempt to place more than four  $\frac{1}{2}$  - litre jars onto the turning table at the same time.



Set to 900 W and bring the content in the jars to simmer. The time required depends on:

- the initial temperature of the produce in the jar.
- the number of glass jars.

Duration until bubbles evenly dispersed in all jars:

- 1 glass jar . . . . . approx. 3 minutes
- 2 glass jars . . . . . approx. 6 minutes
- 3 glass jars . . . . . approx. 9 minutes
- 4 glass jars . . . . . approx. 12 minutes

This is sufficient time for preserving fruit and cucumbers.

For vegetables, reduce the power to 450 W once the produce starts boiling. Cook

- carrots for approx. 15 minutes
- peas for approx. 25 minutes.

## After the preserving process

Take the glass jars from the microwave, cover the jars with a cloth and allow to cool for approx. 24 hours.

Remove the clips or the adhesive tape and make sure the glasses are closed properly.

## Some suggested uses

Food	Quantity	Micro-wave power level (in watts)	Time (in minutes)	Notes
Melting butter and margarine	100 g	450	1:00 – 1:10	Do not cover.
Melting chocolate	100 g	450	3:00 – 3:30	Do not cover. Stir halfway through melting.
Dissolving gelatine	1 packet + 5 tbsp water	450	0:10 – 0:30	Do not cover. Stir halfway through dissolving
Preparing flan topping/jelly glaze	1 packet + 250 ml liquid	450	4 – 5	Do not cover. Stir halfway through heating.
Yeast dough	Made with 100 g flour	80	3 – 5	Cover and leave to prove.
Popcorn	1 tbsp (20 g) popcorn	900	3 – 4	Place popcorn in a 1-litre container, cover and cook.
Salad dressings	125 ml	150	1 – 2	Heat uncovered on a gentle heat.
Tempering citrus fruits	150 g	150	1 – 2	Place on a plate, do not cover.
Bacon	100 g	900	2 – 3	Place on kitchen paper, do not cover.
Softening ice cream	500 g	150	2	Place open ice cream container in microwave.
Skinning tomatoes	3 tomatoes	450	6 – 7	Cut a cross shape into the top of each tomato, cover, and heat in a little water. The skins will slip off easily. Take care, as the tomatoes may get very hot.
Strawberry jam	300 g strawberries, 300 g jam sugar	900	7 – 9	Mix the fruit and sugar in a deep container, cover and cook.

The information given in this chart is intended only as a guide.

In Australia and New Zealand, Miele branded cleaning and conditioning products, as well as the Original Miele all-purpose microfibre cloth, which is suitable for cleaning surfaces such as stainless steel, glass, plastic and chrome without the use of chemicals, are available to purchase from Miele.

Disconnect the microwave oven from the power supply before cleaning (e.g. switch off at the socket and remove the plug).

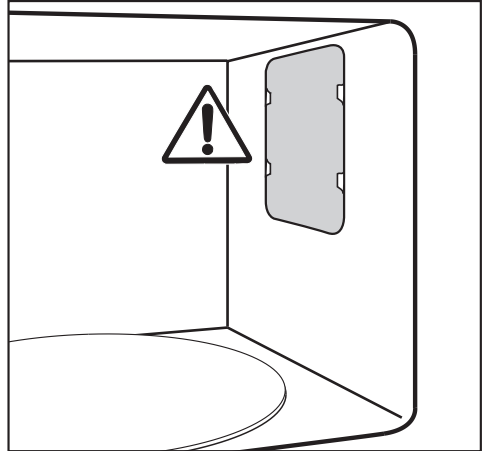
Do not use a steam-cleaning appliance to clean this appliance. Pressurised steam could reach the electrical components and cause a short circuit.

### Oven interior and inside of the door

The oven interior can get hot during use. To avoid the danger of being burnt, wait until it has cooled down before cleaning. It should be cleaned after each use. Waiting too long can make cleaning unnecessarily difficult and in some cases impossible. In certain circumstances, very heavy soiling can even damage the appliance.

The oven interior and door interior can be cleaned using a damp cloth with a little washing-up liquid or a mild detergent and water. Wipe dry with a soft cloth.

For more heavy soiling, heat a glass of water for 2 to 3 minutes until the water begins to boil. The steam will collect on the walls and soften the soiling.



The oven interior can now be wiped clean using a little washing-up liquid if necessary.

Do not remove the cover to the microwave outlet inside the oven, nor the film covering the inside of the door.

Do not let water or any small particles penetrate the vents in the appliance.

Wring out cloths before using them to wipe out the oven to avoid moisture getting into the openings.

Do not use abrasive cleaners, as these scratch the surface.

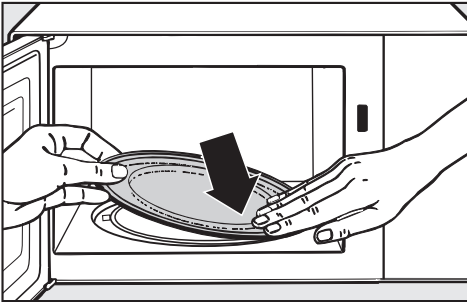
## Cleaning and care

To neutralise odours in the oven, put a cup of water with some lemon juice in the oven and simmer for a few minutes.

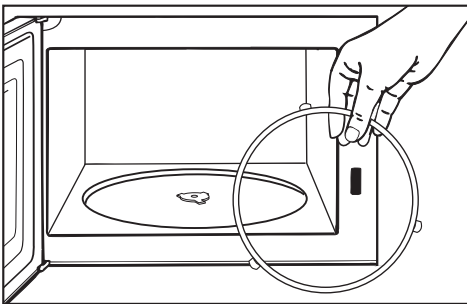
The door should be kept clean at all times and checked at regular intervals for any signs of damage.

If any damage is noticed, the appliance should not be used until the fault has been rectified by a Miele authorised and trained service technician.

To clean the interior:



- Remove the turntable, and wash in the dishwasher or by hand.



- Always keep the roller ring underneath it clean as well as the oven floor to enable the turntable to turn smoothly.

- Clean the area between the turntable and the carrier.

Do not turn the carrier manually, as this could damage the drive motor.

### Appliance front

Do not let water or any small particles penetrate the vents in the appliance.

Remove any soiling immediately. If not, it might become impossible to remove and could cause the surface to alter or discolour.

Clean the front using a microfibre cloth or with a solution of warm water and a little washing-up liquid applied with a soft sponge. Wipe the surfaces dry using a soft cloth.

The external surfaces of this appliance are all susceptible to scratching. Scratches on glass surfaces could even cause a breakage. Contact with unsuitable cleaning agents can alter or discolour the external surfaces.



## **To avoid damaging the outer surfaces of your appliance, do not use:**

- cleaning agents containing soda, ammonia, acids or chlorides,
- cleaning agents containing descaling agents,
- abrasive cleaning agents, e.g. powder cleaners and cream cleaners,
- solvent-based cleaning agents,
- stainless steel cleaners,
- dishwasher detergent,
- oven sprays,
- glass cleaning agents,
- hard, abrasive sponges and brushes, e.g. pot scourers,
- dirt erasers,
- sharp metal scrapers.

## **Accessories supplied**

### **Boiling rod**

The boiling rod can be washed in a dishwasher.

### **Cover**

Wash and dry the cover after each use. The cover can be washed in a dishwasher. However, discolouration caused by natural dyes, e.g. from carrots, tomatoes or tomato sauce, may occur.

This discolouration is irreversible but does not affect the stability of the cover.

# Problem solving guide

---

Repairs may only be carried out by a suitably qualified and competent person in accordance with national and local safety regulations. Repairs and other work by unqualified persons could be dangerous. The manufacturer cannot be held liable for unauthorised work.

Some minor problems can be corrected without contacting Miele.

Please note: A call-out charge will be applied to unnecessary service visits where the problem could have been rectified as described in these operating instructions.

## What to do if . . .

### . . . a programme will not start.

Check whether,

- the appliance door is closed properly.
- the system lock has been activated (see "System lock").
- "door" appears in the display. The door has not been opened for a long time (approx. 20 minutes). See "door" message.
- the appliance is plugged into the mains supply and switched on at the socket.
- the mains fuse has tripped because the mains voltage or another appliance is faulty (disconnect the appliance from the mains supply and call a qualified electrician or Miele. See "After sales service".).

### . . . a noise can be heard after a cooking programme.

This is not a fault.

The cooling fan will continue to run for a while after the oven has been switched off to prevent any humidity building up in the oven, on the control panel or on the oven housing unit.

It will switch off automatically.

### . . . the display does not light up.

Check whether,

- the time of day display has been switched off (press and hold the ⊕ button for a few seconds).
- the time of day display has been programmed to switch off at night.

### . . . the turntable does not turn smoothly.

- Check whether the area underneath the roller ring is clean.
- Check whether the surfaces between the turntable and the carrier are clean.

Remove any soiling.

### . . . food is not adequately defrosted, heated or cooked at the end of the selected cooking duration.

- Check whether the correct power level was selected for the duration set.  
The lower the power level, the longer the duration required.
- Check whether the programme has been interrupted and not restarted.

### **... the microwave operation works but not the lighting.**

- You can then operate the appliance as normal, but not the lighting. Contact Miele if you need to replace the lighting.

### **... strange noises are heard when the microwave oven is being used.**

Check whether,

- the food is covered with aluminium foil.  
If so, remove it.
- Sparks are being created by the use of crockery with a metallic finish. See notes on suitable types of containers.

### **... the time of day in the display is not accurate.**

If there has been a power cut, the time automatically switches back to 12:00. The time of day needs to be re-set.

- Set the correct time of day.

### **... food cools down too quickly.**

In the microwave oven, food begins to cook from the outside first, the inside of the food relying on the slower conduction of heat.

If food is cooked at a high power level, it is possible that the heat may not have reached the centre of the food, so it is hot on the outside but cold in the centre. During standing time heat is transferred to the centre of the food. This may leave the food warm in the middle but cool on the outside. When reheating food with different densities,

such as plated meals, it is therefore sensible to select a lower power level and lengthen the duration required.

### **... the microwave switches itself off during a cooking, reheating or defrosting programme.**

There may be insufficient air circulation.

Check whether,

- the air inlet or outlet is blocked.

If so, remove it. The appliance switches off automatically in cases of overheating. Cooking can be continued after a cooling-down period.

If the microwave oven switches itself off repeatedly, please call Miele.

If it is not possible to remedy a fault by following the instructions given above, on no account open the appliance casing.

This microwave oven should only be repaired by a suitably qualified technician trained by Miele.

## After sales service

---

In the event of any faults which you cannot remedy yourself, or if the appliance is under warranty, please contact:

– your Miele Chartered Agent

or

– Miele.

You will find the telephone number and address of your nearest office on the back cover of this manual.

When contacting your Chartered Agent or Miele, please quote the model and serial number of your appliance. This information is given on the data plate, which is located on the inside of the appliance front.

## Warranty

The warranty for this appliance is 2 years.

For further information on warranty conditions, please refer to the warranty booklet supplied with the appliance.

Before connecting the appliance, ensure that it has not been damaged in any way. Do not use a damaged appliance.

The appliance is supplied with a mains cable and moulded plug ready for connection to an AC single phase 220-240 V 50 Hz supply.

Fuse protection is to be conducted as follows: Connection to an earthed power socket, protected with 10 A-L automat or fuse 10 A.

Connection must only be made via a suitable switched socket. The electrical system must comply with VDE0100.

The appliance should be positioned so that the plug is accessible.

Connection should be made via a suitable switched socket, or via a suitable isolator, which complies with national and local safety regulations, and the on/off switch should be easily accessible after the appliance has been installed. If it is installed via an isolator switch, connection **must** be carried out by an electrician.

When switched off, there must be an all-pole contact gap of 3 mm in the switch (including switch, fuses and relays).

The voltage, rated load and fuse rating are given on the **data plate** situated at the front of the oven interior. Please ensure these match the household mains supply.

If the supply cord is damaged, it must be replaced by a Miele approved service technician to avoid a hazard.

Do not connect the machine to an inverter such as those used with an autonomous energy source e.g. Solar power. When switched on, peak loads in the system can cause the safety switch off mechanism to be triggered. This can damage the electronic unit. The machine must not be used with so-called **Energy saving devices** either. These reduce the amount of energy supplied to the machine, causing it to overheat.

# Installation

When building in the appliance, ensure that the vents at the front of the appliance are not hindered. Make sure that there is a gap of at least 2.5 mm between the sides of the appliance and adjoining furniture doors and at least 4 mm above the appliance.

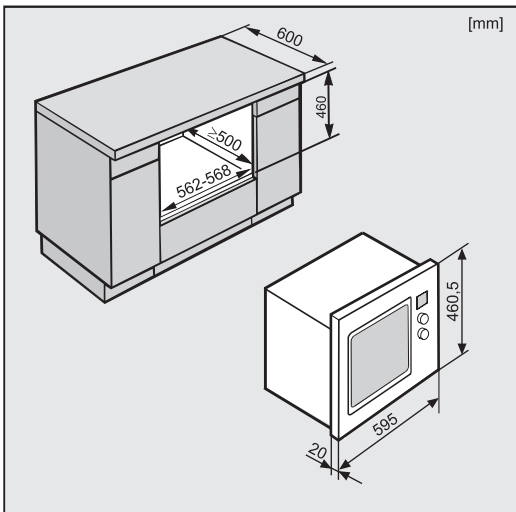
To transport the appliance, make sure that you lift it by the appliance housing and not by the frame. The frame is not sturdy enough to bear the weight of the appliance when it is being carried.

The appliance is designed to be built into a tall unit and is also suitable for underbench installation.

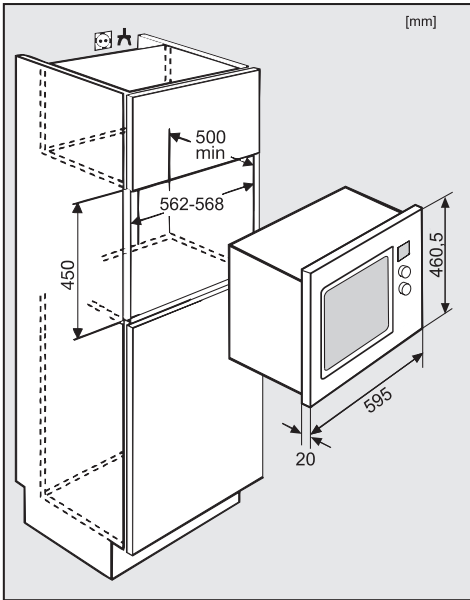
The installation of the microwave oven below a cooktop or above a plate warming drawer is not permitted.

## Building-in dimensions

### Underbench

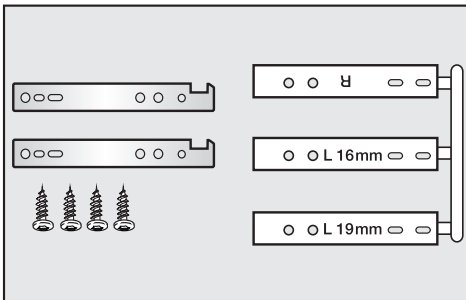


## Tall unit



## Building-in kit

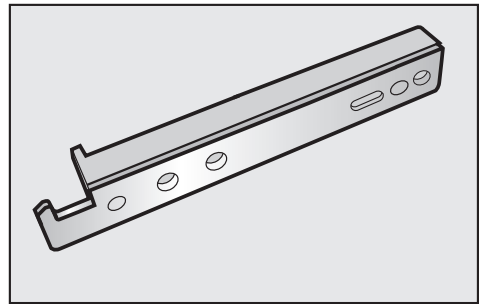
The following items are supplied in the accessory pack for installing the appliance:



## Installation

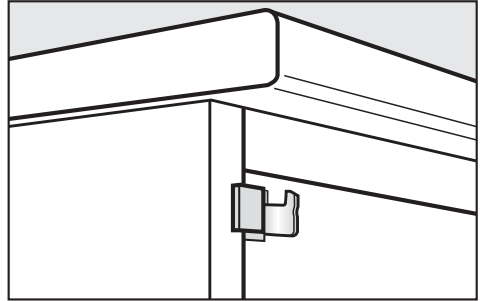
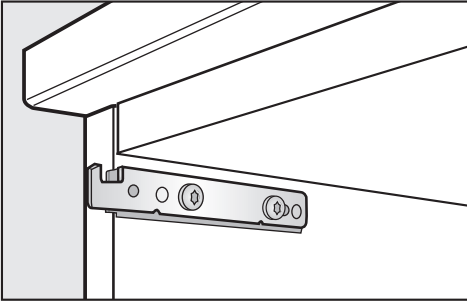
The appliance must be built in before it can be used. Otherwise it poses an electric shock hazard.

There are three spacers in the accessory pack: one for the right-hand side (R) and two for the left-hand side (L), depending on whether the housing unit wall is 16 or 19 mm thick.



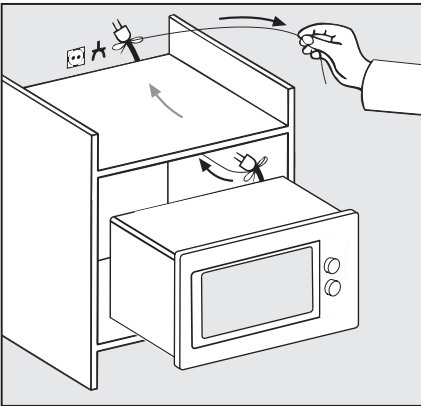
- Attach the correct left-hand spacer applicable to the thickness of the housing unit wall to one of the hooks supplied.
- Attach the other hook to the right-hand spacer.
- Before securing the hooks, make sure that the screws are fitted where the housing unit wall is at least 16 mm thick.
- Draw a line on both sides of the housing unit 420 mm above the floor of the housing unit.
- Position the lower edge of the spacer on this line and align the stopper at the front of the spacer with the front of the housing unit side wall.

# Installation



- To secure the spacers and hooks, place a screw in one of the front two holes and another in the middle of the long hole at the back. The long hole allows for adjustment if necessary, and the two additional holes are in case additional screws are required.

- Secure the appliance at the front by lifting it over the hooks and lowering it into position.
- Check that the appliance is secure by pushing lightly on the upper edge of the front frame.
- Check that it is correctly aligned.
- Connect the appliance to the electricity supply.



- Slide the appliance into the housing unit, and pull the cable with the plug\* through the back of the unit.

\* Plug shown is for illustration purposes only.









# Miele

## **Miele Australia Pty. Ltd.**

ABN 96 005 635 398

### **Melbourne:**

1 Gilbert Park Drive

Knoxfield, VIC 3180

Telephone: 1300 464 353

Fax: (03) 9764 7149

### **Sydney:**

3 Skyline Place

Frenchs Forest, NSW 2086

Telephone: 1300 464 353

Fax: (02) 8977 4249

### **Brisbane:**

39 Harvey Street North

Eagle Farm, QLD 4009

Telephone: 1300 464 353

Fax: 1800 799 578

### **Adelaide:**

83-85 Sir Donald Bradman Drive

Hilton, SA 5033

Telephone: 1300 464 353

Fax: 1800 799 578

### **Perth:**

205-207 Stirling Highway

Claremont, WA 6010

Telephone: 1300 464 353

Fax: 1800 799 578

[www.miele.com.au](http://www.miele.com.au)



[www.miele-shop.com](http://www.miele-shop.com)

## **Miele New Zealand Limited**

Unit L, 10-20 Sylvia Park Road

Mt. Wellington, 1060, Auckland

New Zealand

Telephone: 0800 264 353

Fax: 0800 463 453

[www.miele.co.nz](http://www.miele.co.nz)

## **Germany**

### **Miele & Cie. KG**

Carl-Miele-Straße 29

33332 Gütersloh

Alteration rights reserved/ 5011

M.-Nr. 07 679 380 / 02

M 8260-2

